

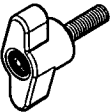

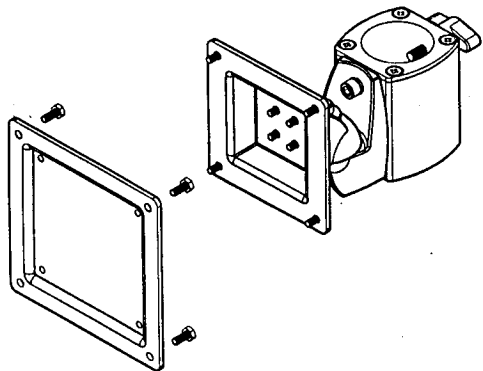


LA-19Q

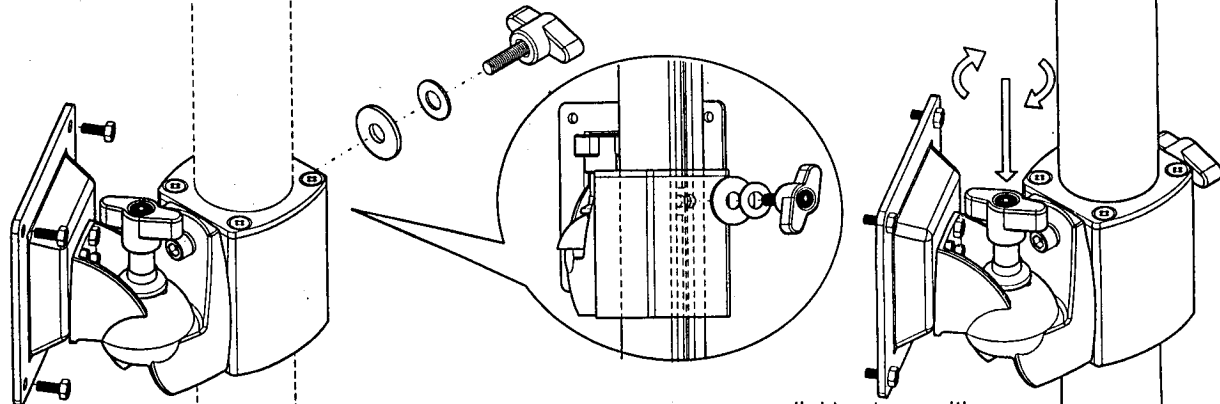
Fitting Check-List

- ①  x1
- ②  x1
- ③  x1
- ④  x8

Assembly Guide



With 100mmx100mm VESA standard interface



When the joint loosens ,tighten the parallel knob up with clockwise direction.
Loading weight : 1 ~ 6 kgs.

Note:

* Support the monitor during the adjustment procedure.